

# Apollo® 82-200 Series

## Bronze 3-Piece Full Port Ball Valve With Male Brazed Extensions

Solder End, 600 psig WOG, Cold Non-Shock. 150 psig Saturated Steam.

Vacuum Service to 29 inches Hg.

Federal Specification: WW-V-35C, Type: II, Composition: BZ, Style: 1.

Designed for soft solder or brazed installation without disassembly.

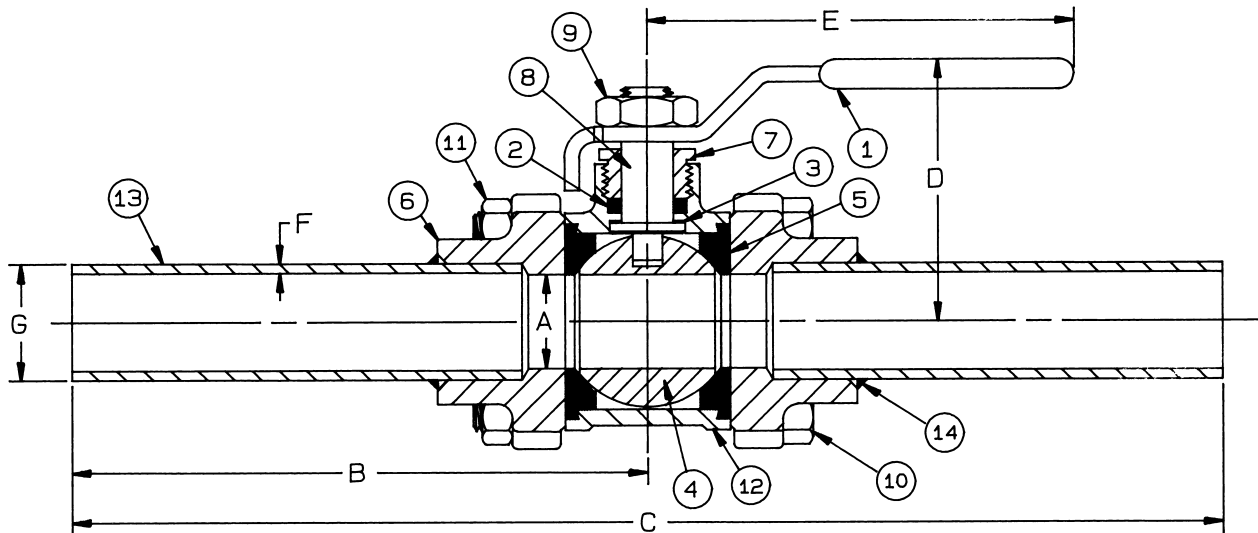
MSS SP-110; Ball Valves Threaded, Socket-Welding, Solder Joint, Grooved and Flared Ends.

### FEATURES

- Full port configuration
- Blow-out-proof stem design
- RPTFE seats and seals
- Adjustable packing gland
- In-line repairable
- Latch lock handle optional

### STANDARD MATERIAL LIST

1. Lever and grip	Steel, zinc plated w/vinyl	9. Lever nut	Steel, zinc plated
2. Stem packing	RPTFE	10. Body bolt	Steel, zinc plated
3. Stem bearing	RPTFE	11. Hex nut	Steel, zinc plated
4. Ball	B16, chrome plated	12. Body	B584-C84400
5. Seat (2)	RPTFE	13. Extension	Type K copper tubing
6. End cap (2)	B584-C84400	14. Brazing alloy	Sil-Fos 5
7. Gland	B16	15. Cap plugs	(not shown)
8. Stem	B16		



**For Pressure/Temperature Ratings,  
Refer to Page M-9, Graph No. 4**

#### BRONZE 3-PIECE FULL PORT BALL VALVE WITH MALE BRAZED EXTENSIONS

STANDARD		OXYGEN CLEANED		SIZE	A	B	C	D	E	F	G*	Wt.
PART NUMBERS	PART NO. W/316 SS BALL & STEM	PART NUMBERS	PART NO. W/316 SS BALL & STEM									
82-203-B8	82-243-A8	82-203-A1	82-243-A7	1/2"	.62	6.90	13.81	2.00	4.87	.049	5/8"	1.66
82-204-A8	82-244-B3	82-204-A2	82-244-B2	3/4"	.81	6.96	13.93	2.18	4.87	.065	7/8"	2.37
82-205-B7	82-245-B1	82-205-A1	82-245-B0	1"	1.00	6.97	13.95	2.62	5.50	.065	1-1/8"	3.43
82-206-B7	82-246-B0	82-206-A1	82-246-A9	1-1/4"	1.25	7.40	14.75	2.89	5.50	.065	1-3/8"	5.52
82-207-B2	82-247-B2	82-207-A1	82-247-B0	1-1/2"	1.50	7.53	15.07	3.37	8.00	.072	1-5/8"	8.51
82-208-B7	82-248-B2	82-208-A1	82-248-B1	2"	2.00	7.61	15.23	3.70	8.00	.083	2-1/8"	14.20

\*NOMINAL TUBING O.D.