

Apollo® 76-100 Series

Stainless Steel Ball Valve

Threaded, 1/4" to 1" 2000 psig WOG, 1-1/4" to 2" 1500 psig WOG, 2-1/2" to 3" 1000 psig WOG
 Cold Non-Shock. 150 psig Saturated Steam, Vacuum Service to 29 inches Hg.
 Federal Specification: WW-V-35C, Type: II, Composition: SS, Style: 3.

FEATURES

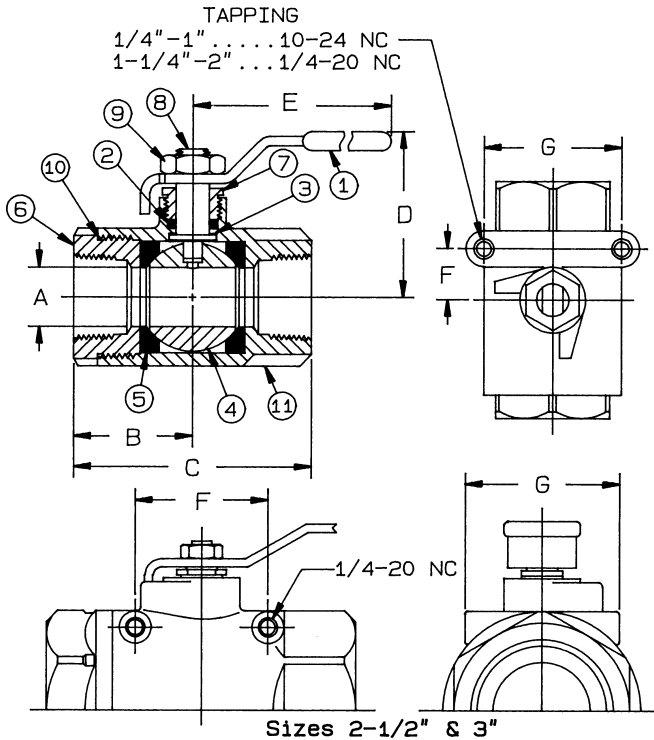
- Investment cast components
- RPTFE seats and stuffing box ring
- Mounting pad for easy actuator mounting
- Blow-out-proof stem design
- Adjustable packing gland
- Meets NACE MR-01-75
- SS lever and nut
- (-24) 1/4" to 2" Certified to API 607, 4th Edition, Class 600 burn

STANDARD MATERIAL LIST

| | | | |
|-------------------|--------------------------|----------------|-----------|
| 1. Lever and grip | 304 SS w/vinyl | 7. Gland nut | A276-316 |
| 2. Stem packing | RPTFE | 8. Stem | A276-316 |
| 3. Stem bearing | RPTFE | 9. Lever nut | 18-8 SS |
| 4. Ball | A276-316 | 10. Body seal | PTFE |
| 5. Seat (2) | RPTFE | (1-1/4" to 3") | |
| 6. Retainer | A276-316 (1/4" to 1") | 11. Body | A351-CF8M |
| | A351-CF8M (1-1/4" to 3") | | |

OPTIONS AVAILABLE:

| (SUFFIX) | OPTION | SIZES |
|----------|------------------------------------|------------|
| -02- | Static Grounded | 1/4" to 3" |
| -03- | 1-1/4" Stem Extension | 1/4" to 3" |
| -04- | 2-1/4" Stem Extension | 1/4" to 3" |
| -07- | Tee Handle | 1/4" to 2" |
| -08- | 90° Reversed Stem | 1/4" to 3" |
| -14- | Vented Ball (see page J-2) | 1/4" to 2" |
| -15- | Round Handle | 1/4" to 2" |
| -16- | Vertical Chain Lever | 3/4" to 2" |
| -19- | Lock Plate | 1/4" to 2" |
| -21- | UHMWPE Seats (Non-PTFE) | 1/4" to 3" |
| -24- | Graphite Stem Packing | 1/4" to 3" |
| -27- | Latch Lock Lever | 1/4" to 3" |
| -30- | CamLock Handle | 1/4" to 2" |
| -32- | SS Tee Handle & Nut | 1/4" to 2" |
| -35- | PTFE Trim | 1/4" to 3" |
| -39- | SS Latch Lock Wheel Handle | 1/4" to 2" |
| -40- | Cyl-Loc | 1/4" to 2" |
| -44- | Seal Welded | 1/4" to 2" |
| -45- | Less Lever & Nut | 1/4" to 3" |
| -46- | Latch Lock Lever - Lock Close Only | 1/4" to 3" |
| -47- | SS Latch Lock Oval Handle | 1/4" to 1" |
| -48- | SS Oval Handle | 1/4" to 2" |
| -49- | Assembled Dry | 1/4" to 3" |
| -50- | 2-1/4" Locking Stem Extension | 1/4" to 3" |
| -57- | Cleaned For Gaseous Oxygen | 1/4" to 3" |
| -58- | Horizontal Chain Lever | 3/4" to 2" |
| -60- | Static Grounded Ball & Stem | 1/4" to 3" |
| -64- | 250 Lb. Steam Trim | 1/4" to 3" |
| -P01- | BSPP (Parallel) Thread Connection | 1/4" to 3" |
| -T01- | BSPT (Tapered) Thread Connection | 1/4" to 3" |



STAINLESS STEEL BALL VALVE

| NUMBER | SIZE | A | B | C | D | E | F | G | Wt. |
|-----------|--------|------|------|------|------|------|------|------|-------|
| 76-101-01 | 1/4" | .37 | 1.03 | 2.06 | 1.75 | 3.87 | .50 | 1.12 | .58 |
| 76-102-01 | 3/8" | .37 | 1.03 | 2.06 | 1.75 | 3.87 | .50 | 1.12 | .54 |
| 76-103-01 | 1/2" | .50 | 1.12 | 2.25 | 1.81 | 3.87 | .50 | 1.12 | .63 |
| 76-104-01 | 3/4" | .68 | 1.50 | 3.00 | 2.12 | 4.87 | .87 | 1.37 | 1.27 |
| 76-105-01 | 1" | .87 | 1.68 | 3.37 | 2.25 | 4.87 | .87 | 1.37 | 1.63 |
| 76-106-01 | 1-1/4" | 1.00 | 2.00 | 4.00 | 2.62 | 5.50 | .93 | 1.50 | 3.06 |
| 76-107-01 | 1-1/2" | 1.25 | 2.18 | 4.37 | 3.05 | 8.00 | .93 | 1.50 | 4.04 |
| 76-108-01 | 2" | 1.50 | 2.75 | 5.50 | 3.24 | 8.00 | .93 | 1.50 | 6.05 |
| 76-109-01 | 2-1/2" | 2.50 | 3.37 | 6.75 | 4.12 | 8.00 | 2.75 | 3.37 | 15.57 |
| 76-100-01 | 3" | 2.50 | 3.37 | 6.75 | 4.12 | 8.00 | 2.75 | 3.37 | 16.79 |

**For Pressure/Temperature Ratings,
 Refer to Page N-15, Graph No. 14 (1/4" to 1")
 Refer to Page N-14, Graph No. 12
 (1-1/4" to 2")
 Refer to Page N-12, Graph No. 8
 (2-1/2" to 3")**