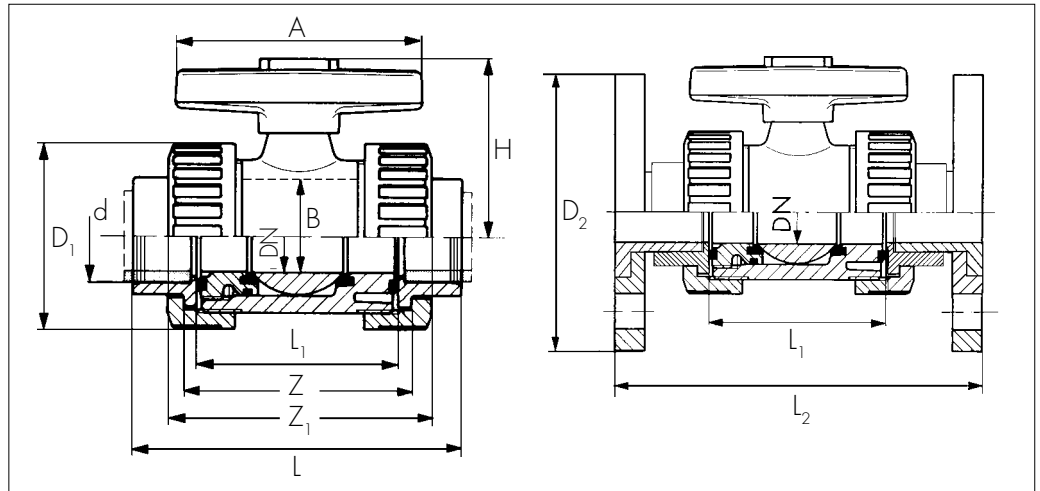


## Dimensions for Type 346 Ball Valve, PVC/CPVC

$Z^*$  Solvent cement socket valve  
(laying length)

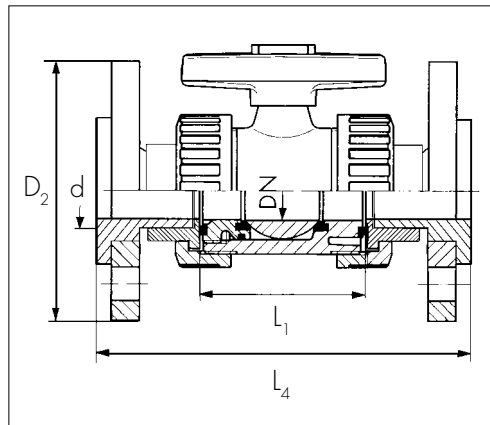
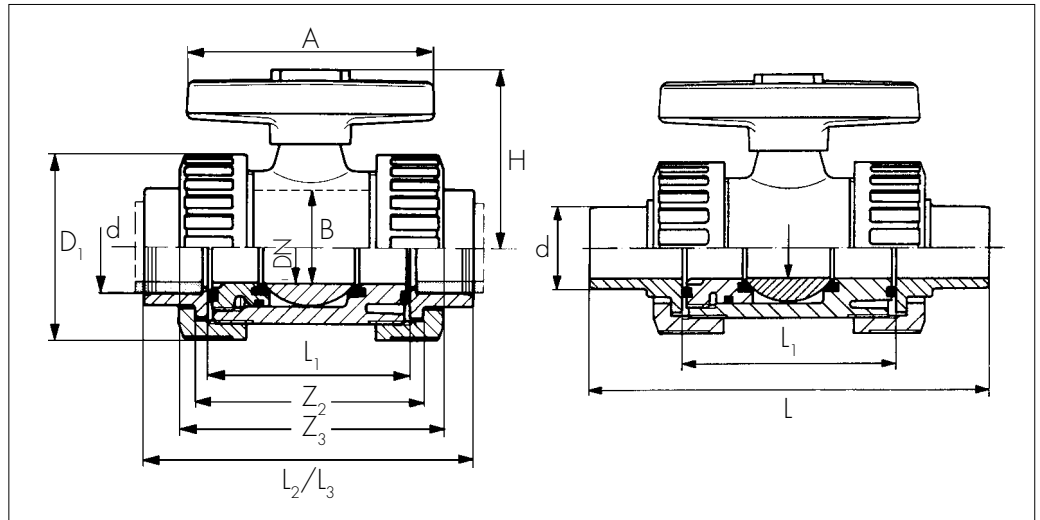
$Z_1^{**}$  Threaded valve (laying length is herein defined as the dimension between the ends of pipe when threaded into valve to a depth equal to the nominal "Handtight" plus  $\frac{1}{2}$  turn)



Inch size	L inch	L <sub>1</sub> inch	L <sub>2</sub> inch	Z* inch	Z <sub>1</sub> ** inch	B inch	D <sub>1</sub> inch	D <sub>2</sub> inch	H inch	A inch	Weight lbs.
3/8	4.45	2.48	—	2.93	3.53	.55	1.81	—	1.97	3.07	.33
1/2	4.49	2.48	6.21	2.70	3.36	.55	1.81	3.50	1.97	3.07	.33
3/4	5.18	2.95	7.01	3.15	3.93	.74	2.20	3.88	2.36	3.62	.55
1	5.62	3.11	7.68	3.34	4.35	.94	2.64	4.25	2.76	3.94	.79
1-1/4	6.58	3.50	8.69	4.05	5.25	1.21	3.23	4.63	3.14	4.33	1.32
1-1/2	6.76	3.74	8.86	3.98	5.20	1.53	3.86	5.00	3.62	4.72	2.05
2	7.97	4.53	10.54	4.95	6.36	1.92	4.72	6.00	4.33	5.75	3.75

# Dimensions for Type 346 Ball Valve, Polypropylene/SYGEF-PVDF

- $L$  Overall length of butt fusion valve
- $L_2$  Overall length of metric fusion socket valve
- $L_3$  Overall length of threaded valve
- $L_4$  Face to face dim.
- $Z_2^*$  Metric fusion socket valve (laying length)
- $Z_3^{**}$  Threaded valve (laying length is herein defined as the dimension between the ends of pipe when threaded into valve to a depth equal to the nominal "Handtight" plus  $\frac{1}{2}$  turn)



OD d mm	ID DN mm	L inch	L <sub>1</sub> inch	L <sub>2</sub> inch	L <sub>3</sub> inch	L <sub>4</sub> inch	Z <sub>2</sub> <sup>*</sup> inch	Z <sub>3</sub> <sup>**</sup> inch	B inch	D <sub>1</sub> inch	PP D <sub>2</sub> inch	SYGEF D <sub>2</sub> inch	H inch	A inch	Inch size
16	10	4.29	2.44	3.86	4.37	—	2.83	3.48	.55	1.81	—	—	1.97	3.07	3/8
20	15	5.12	2.44	3.98	4.37	6.81	2.87	3.31	.55	1.81	3.74	3.50	1.97	3.07	1/2
25	20	5.67	2.91	4.69	5.12	7.36	3.43	3.88	.74	2.20	4.13	3.86	2.36	3.62	3/4
32	25	5.91	3.07	5.12	5.51	7.95	3.70	4.30	.94	2.64	4.53	4.25	2.76	3.94	1
40	32	6.73	3.46	5.87	6.50	8.62	4.29	5.19	1.21	3.23	5.51	4.61	3.11	4.33	1-1/4
50	40	7.52	3.70	6.38	6.57	9.45	4.57	5.12	1.53	3.86	5.91	5.00	3.58	4.72	1-1/2
63	50	8.66	4.45	7.68	7.83	10.51	5.55	6.28	1.92	4.72	6.50	5.98	4.29	5.75	2

OD d mm	ID DN mm	Weight lbs.		Inch size
		PP	PVDF	
16	10	.22	.37	3/8
20	15	.22	.37	1/2
25	20	.35	.64	3/4
32	25	.53	.97	1
40	32	.86	1.61	1-1/4
50	40	1.34	2.49	1-1/2
63	50	2.47	4.52	2